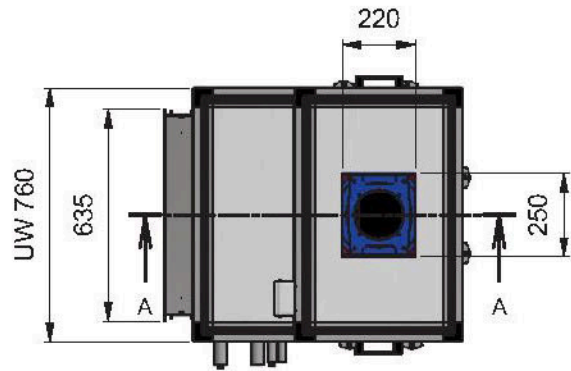
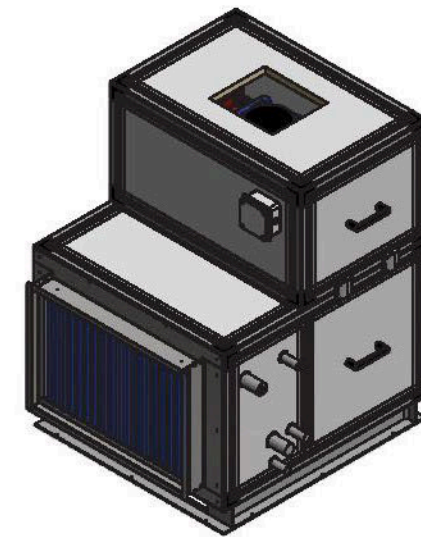
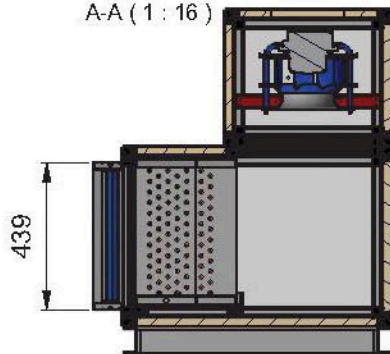


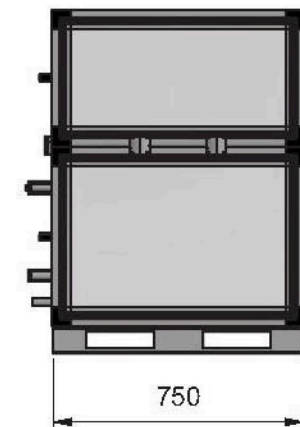
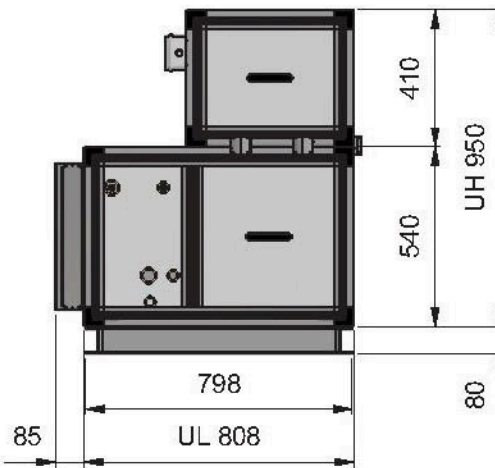
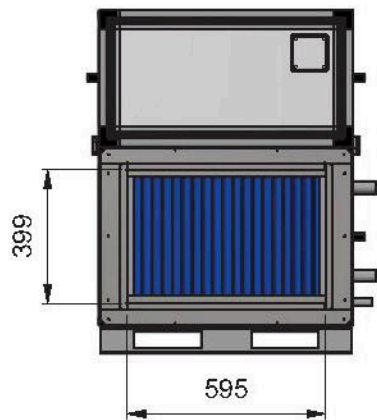
View ISO 1(1:15)



A-A (1:16)



View ISO 2(1:15)



MAX S/A (HORIZONTAL) : 220X250mm

UNLESS OTHERWISE SPECIFIED
DIMENSIONS ARE IN MILLIMETRES
BLOW AND CLEAR ALL THROTTLES

3rd ANGLE
PROJECTION

DO NOT SCALE DRAWING

Rev	By	Date	Description
X00	Leon	4/19/2017	Initial Released

Fantech Pty Ltd. A.C.N. 095 434 024 45 NESTOR DRIVE, MEACOWBROOK, QUEENSLAND AUSTRALIA 4133 TELEPHONE (07) 32 999 888 FACSIMILE (07) 32 999 800				
DRAWN: Leon CHECKED: Sean APPRD: JT	DATE: 2017/7/22 DATE: - DATE: -		General Layout, Cabinet, ML1B-V202-DA-FCO GR25C(Y73721)X1 SLIMthem SLV 0300	
DRAWING NO: 869-3003-0202		REV: /00	SCALE: 1:16	SIZE: A3