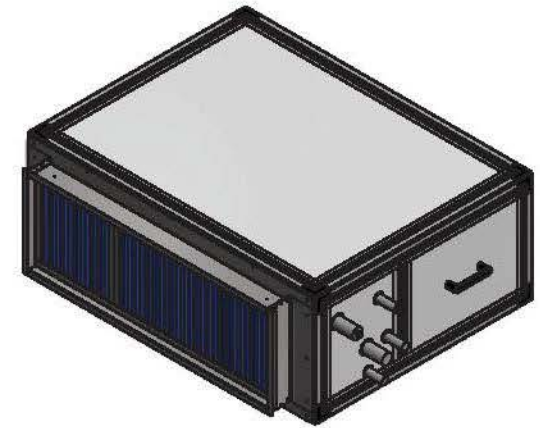
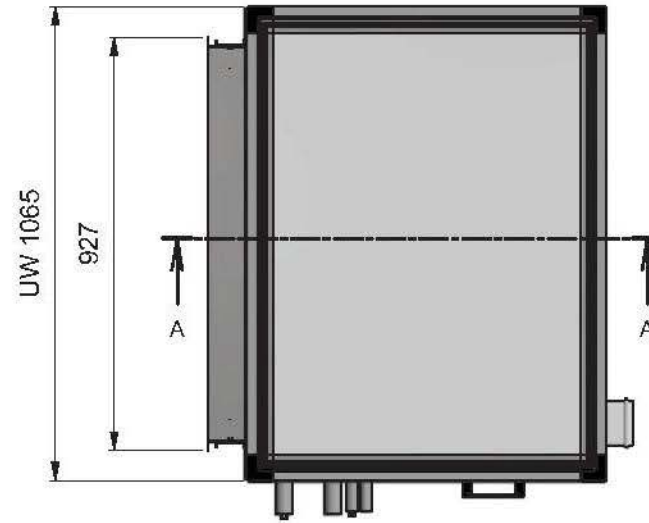


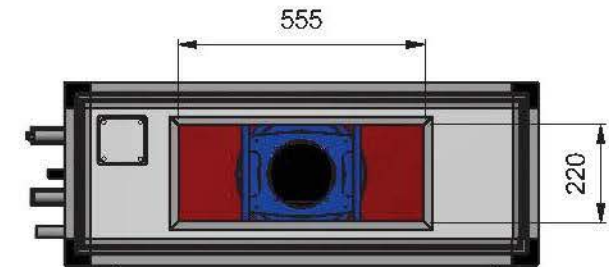
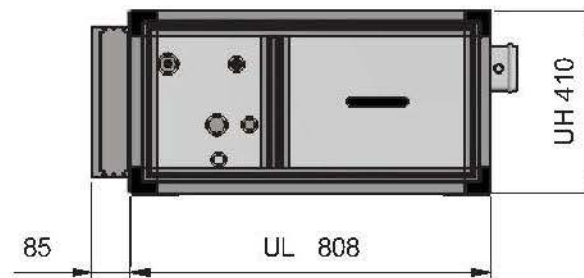
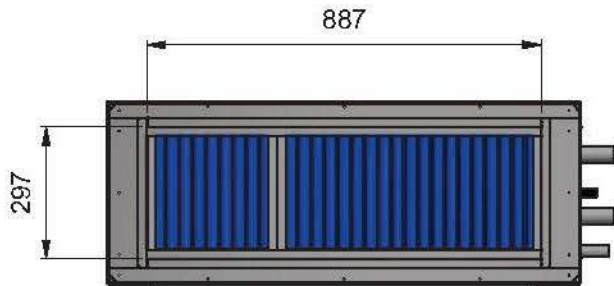
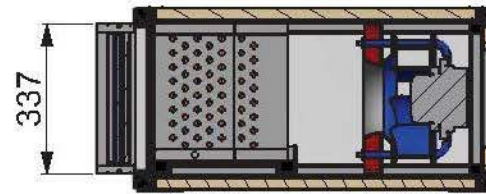


View ISO 1(1:14)



View ISO 2(1:14)

A-A (1 : 12)



MAX S/A (HORIZONTAL) : 220X555mm

UNLESS OTHERWISE SPECIFIED  
DIMENSIONS ARE IN MILLIMETERS  
BLOW AND CLEAR ALL DIMENSIONS

3rd ANGLE  
PROJECTION

DO NOT SCALE DRAWING

Rev	By	Date	Description
X00	Leon	4/19/2017	Initial Released

Fantech Pty Ltd. © A.C.N. 095 434 024 45 NESTOR DRIVE, MEACOWBROOK, QUEENSLAND, AUSTRALIA 4133 TELEPHONE (07) 32 999 888 / FACSIMILE (07) 32 999 800				
DRAWN: Leon CHKD: Sean APPRD: JT	DATE: 2017/7/21 DATE: - DATE: -		General Layout, Cabinet, ML1B-L103-DA-FCO GR25C(Y73721)X1 SLIMthem SLH 0490	
DRAWING NO: 869-3001-0103		REV: /00	SCALE: 1 : 12	SIZE: A3