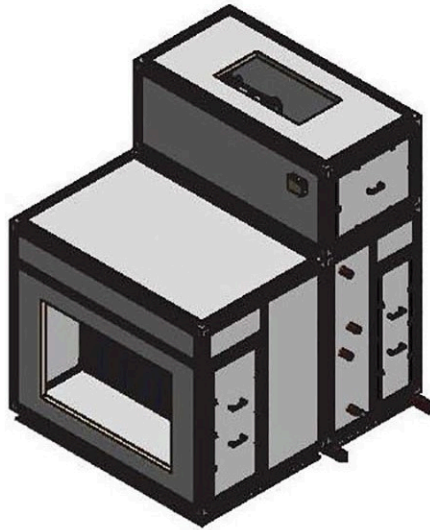
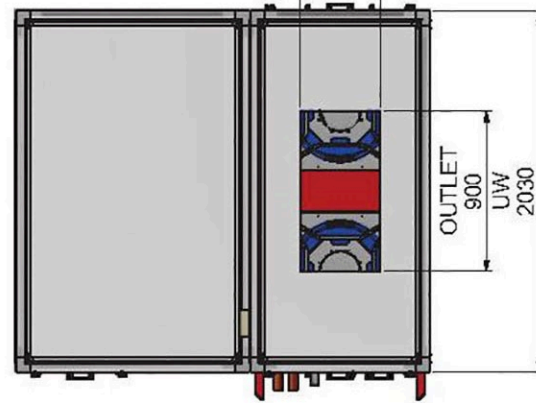


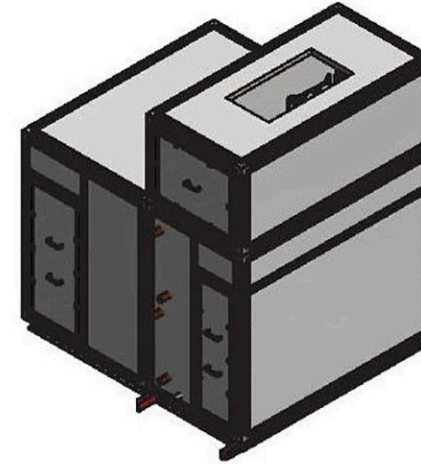
VIEW ISO 1 (1 : 40)



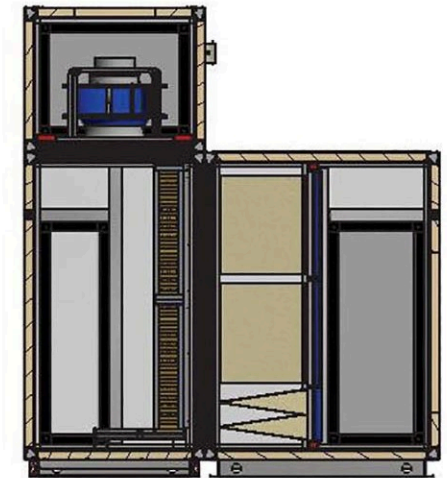
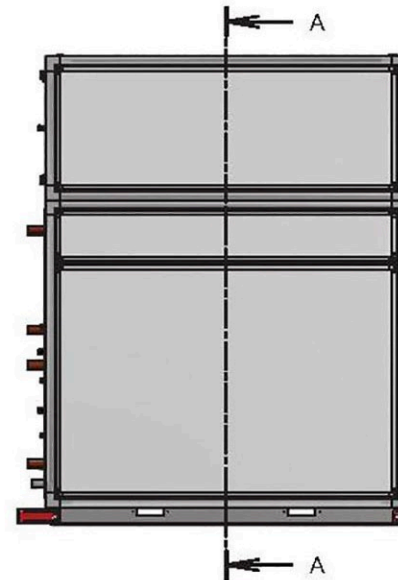
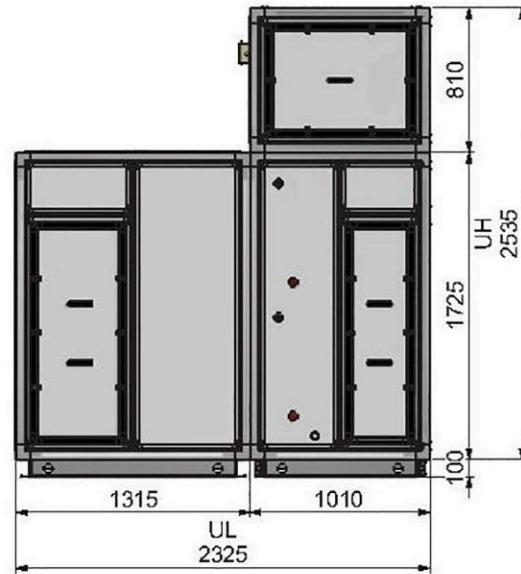
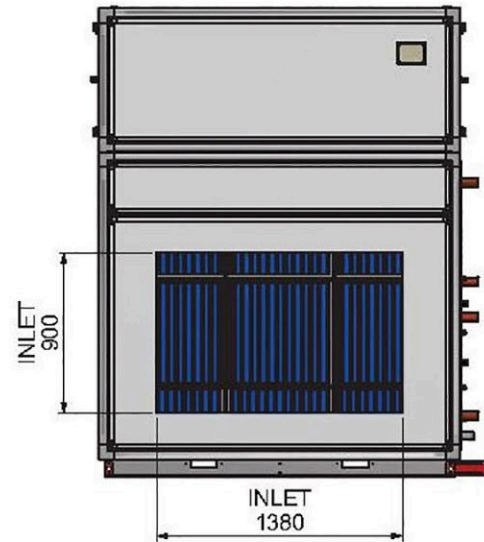
OUTLET
450



VIEW ISO 2 (1 : 40)



A-A (1 : 30)



UNLESS OTHERWISE SPECIFIED
DIMENSIONS ARE IN MILLIMETRES
BREAK AND Omit ALL DIMENSIONS
3rd ANGLE
PROJECTION
DO NOT SCALE DRAWING

Rev	By	Date	Description
001	Toh	19/05/2017	Initial Released

Fantech Pty Ltd. © A.C.N. 605 434 024 45 HESTOR DRIVE, MEACOWBROOK, QUEENSLAND AUSTRALIA 4131 TELEPHONE (07) 32 999 888 FACSIMILE (07) 32 999 800		
DRAWN: Toh CHKD: Sean	DATE: 19/5/2017 DATE: - DATE: -	
DRAWING NO: 868-8030-1506		REV: /00 SCALE: 1 : 30 SIZE: A3

General Layout
ME2B-V506G3-FPL,
GR50C(Y73724)x2