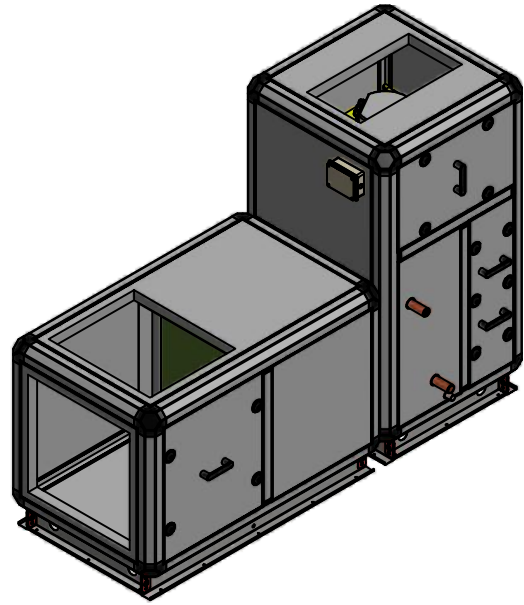
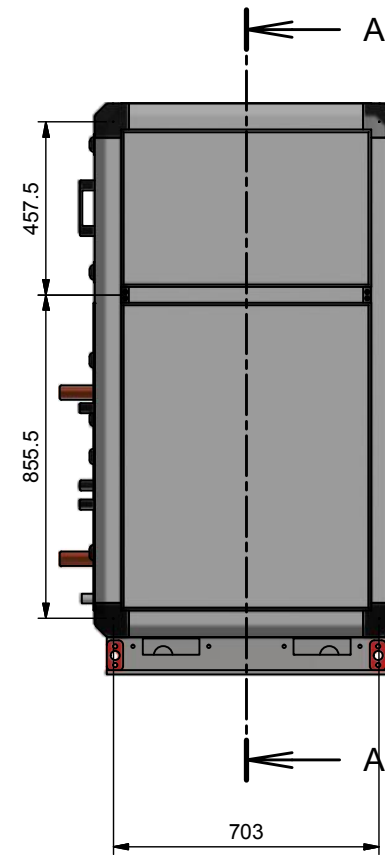
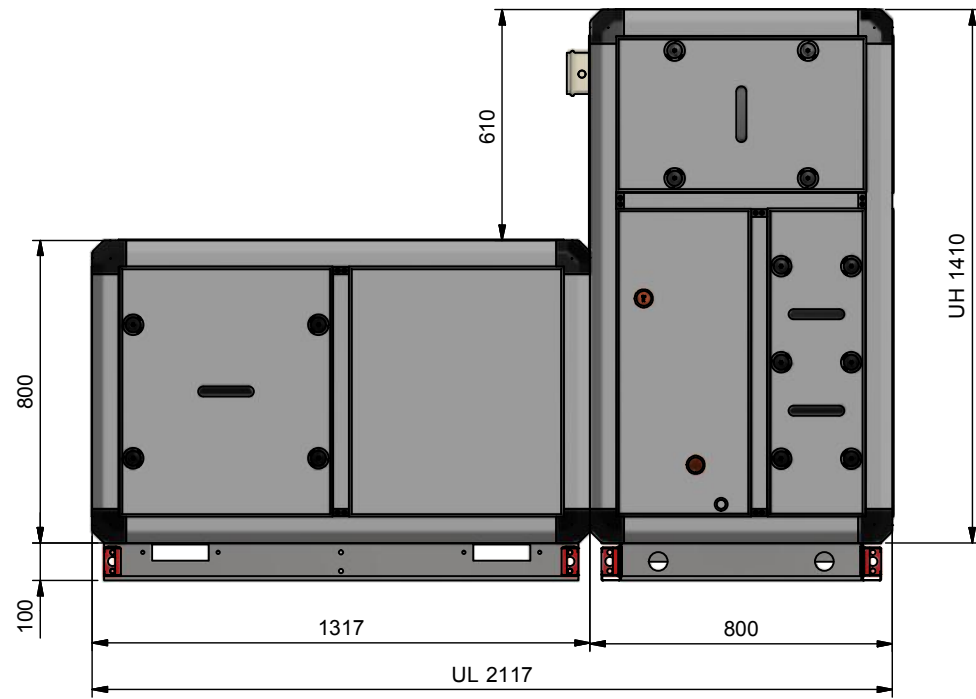
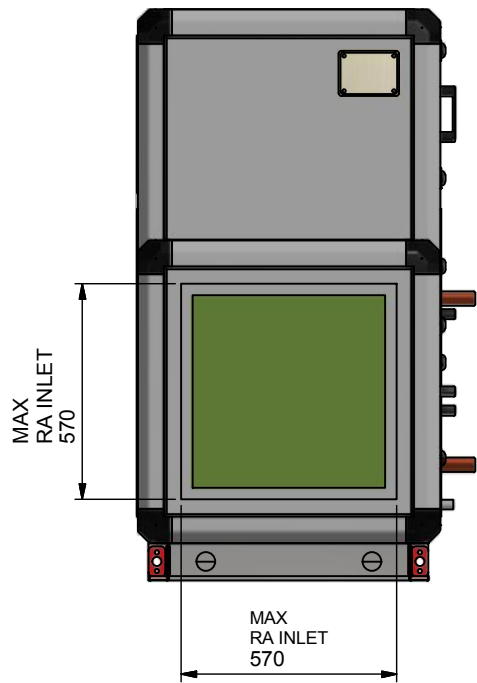
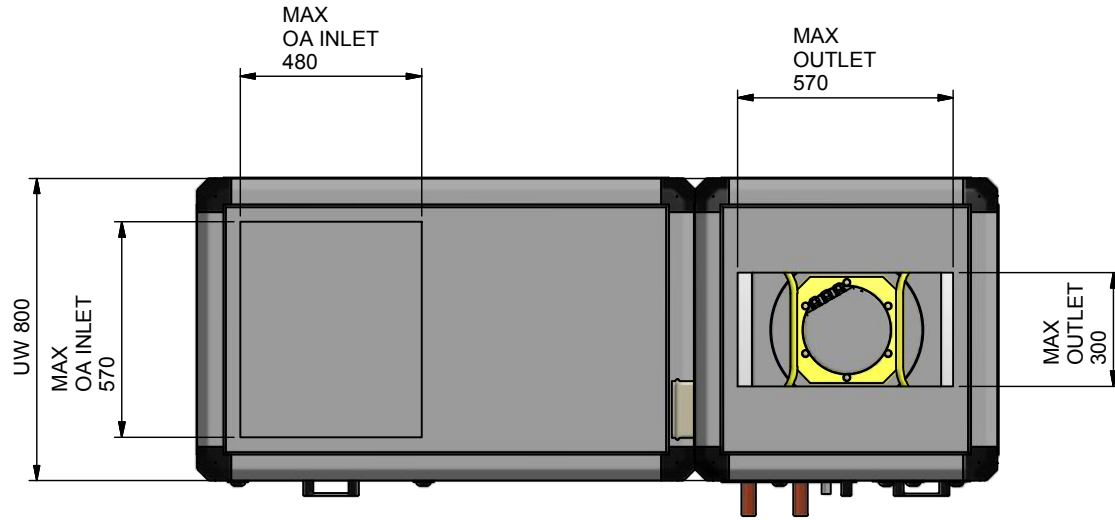
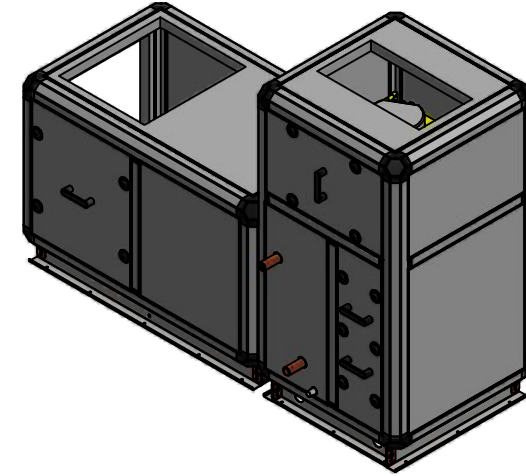


10 9 8 7 6 5 4 3 2 1

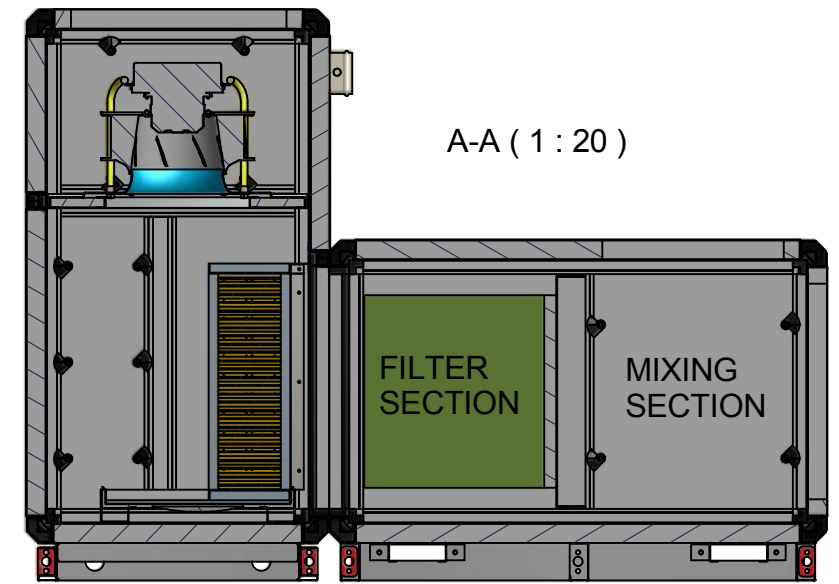
VIEW ISO 2 (1 : 30)



VIEW ISO 1 (1 : 30)



A-A (1 : 20)



UNLESS OTHERWISE SPECIFIED
DIMENSIONS ARE IN MILLIMETERS
BREAK AND DEBUR ALL SHARP EDGES

3rd ANGLE
PROJECTION

DO NOT SCALE DRAWING

Rev	By	Date	Description

AIR DESIGN PTY. LTD. © A.C.N. 010 185 958
45 NESTOR DRIVE, MEADOWBROOK, QUEENSLAND, AUSTRALIA, 4131
TELEPHONE: (07) 32 999 888 FACSIMILE: (07) 32 999 800



DRAWN: Sean DATE: 24/06/2015
CHKED: YK.C DATE: --
APPRD: JT DATE: --
DRAWING NO: 868-0031-0650

General Layout
VMEP 0650-FPL

REV: /01 SCALE: 1 : 20 SIZE: A3

10 9 8 7 6 5 4 3 2 1