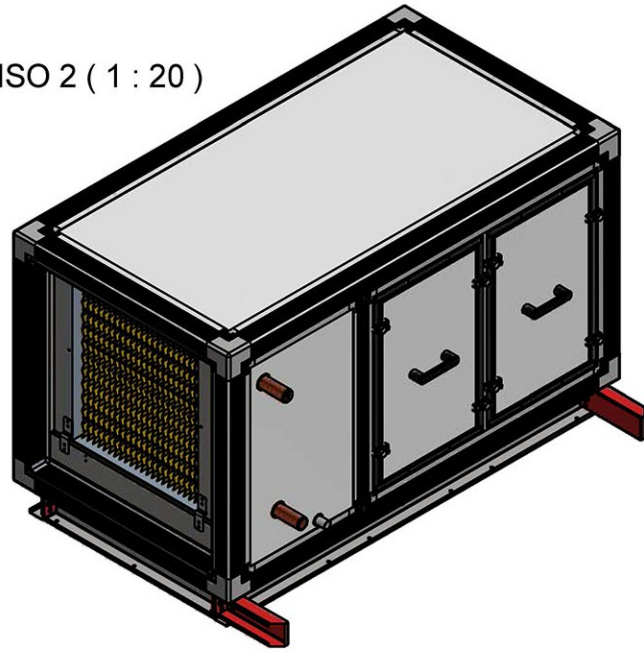
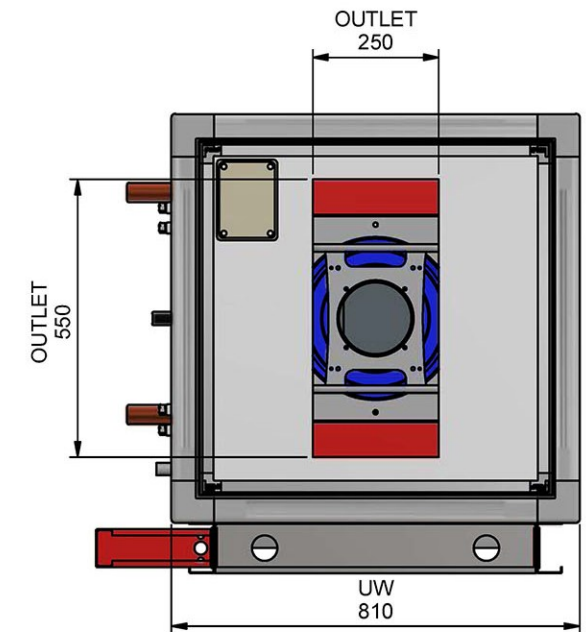
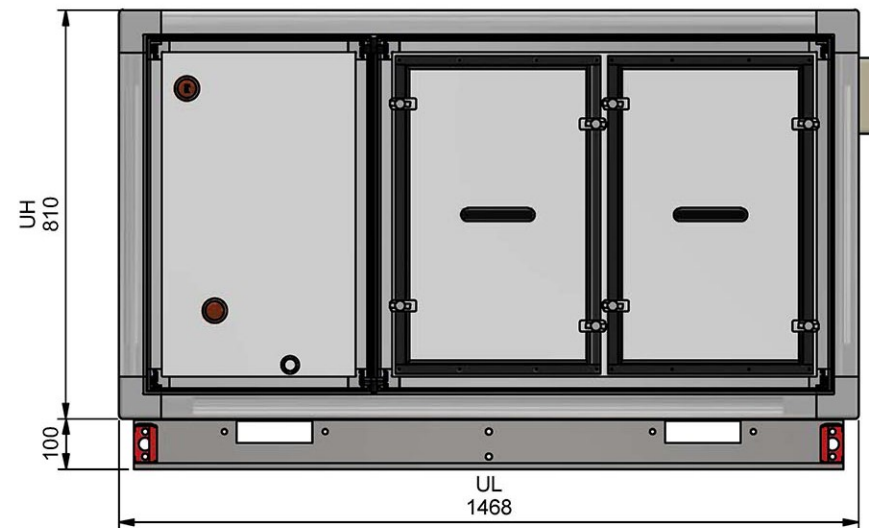
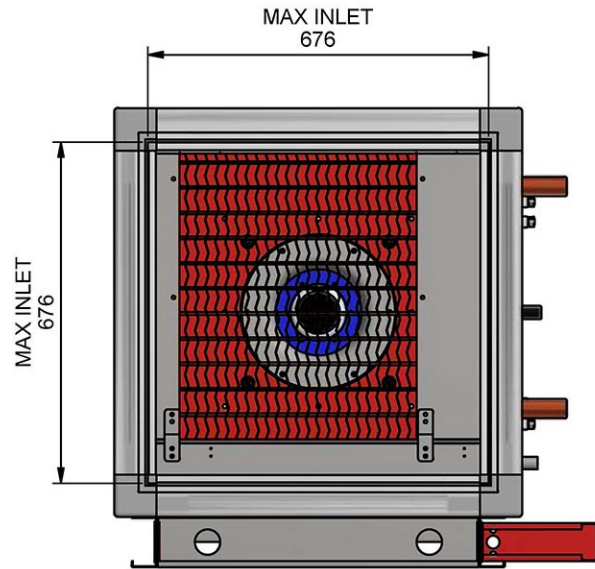
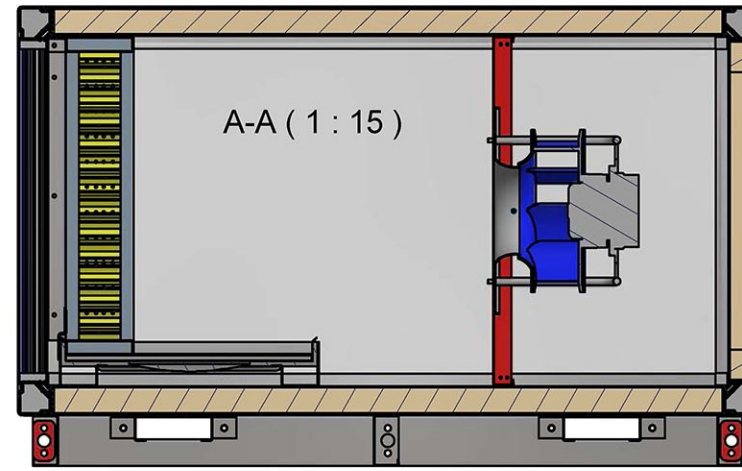
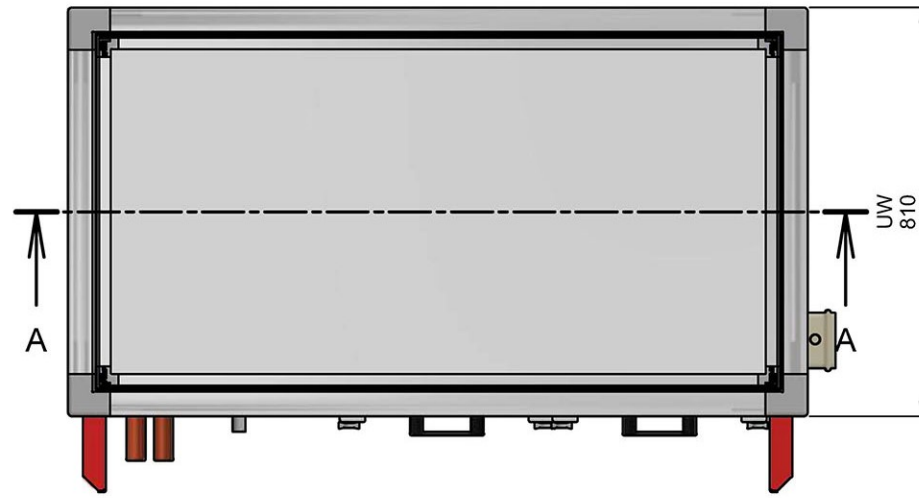
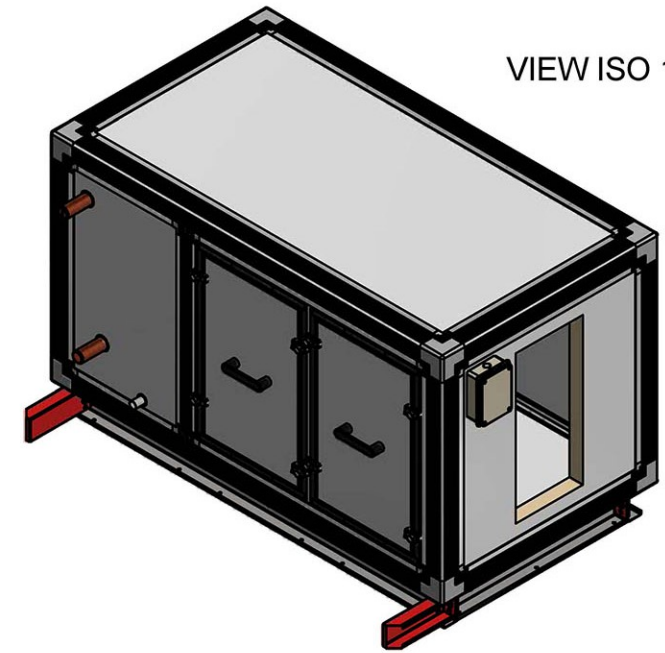


VIEW ISO 2 ( 1 : 20 )



VIEW ISO 1 ( 1 : 20 )



MAX S/A ( HORIZONTAL ) : 570 X 300MM  
 MAX S/A ( VERTICAL ) : 320 X 585MM

UNLESS OTHERWISE SPECIFIED  
 DIMENSIONS ARE IN MILLIMETERS  
 BREAK AND DEBUR ALL SHARP EDGES

3rd ANGLE  
 PROJECTION

DO NOT SCALE DRAWING

Rev	By	Date	Description
/00	Toh	21/03/2017	Initial Released

Fantech Pty Ltd. © A.C.N. 005 434 024  
 45 NESTOR DRIVE, MEADOWBROOK, QUEENSLAND, AUSTRALIA, 4131  
 TELEPHONE: (07) 32 999 888 FACSIMILE: (07) 32 999 800

**General Layout  
 ME2B-H202/G3-FCO,  
 GR28(115667)x1**

DRAWN: Toh DATE: 21/3/2017  
 CHKED: Sean DATE: --  
 APPRD: JT DATE: --

DRAWING NO: 868-8010-1202 REV: /00 SCALE: 1 : 15 SIZE: A3