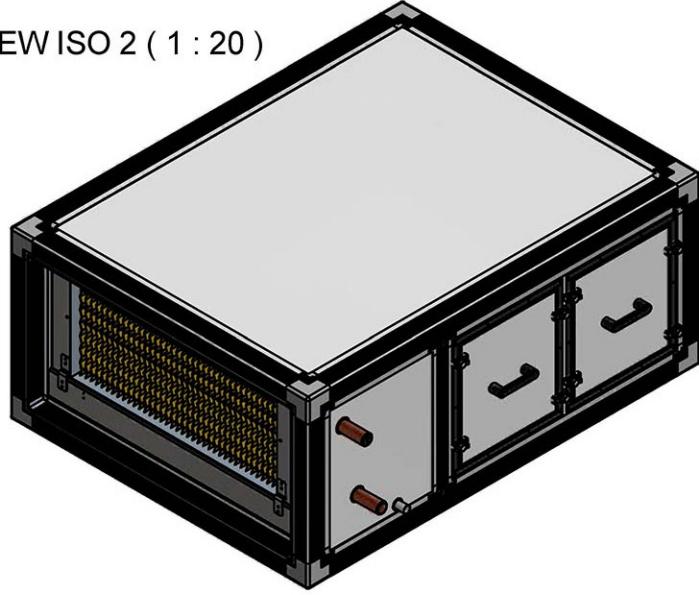
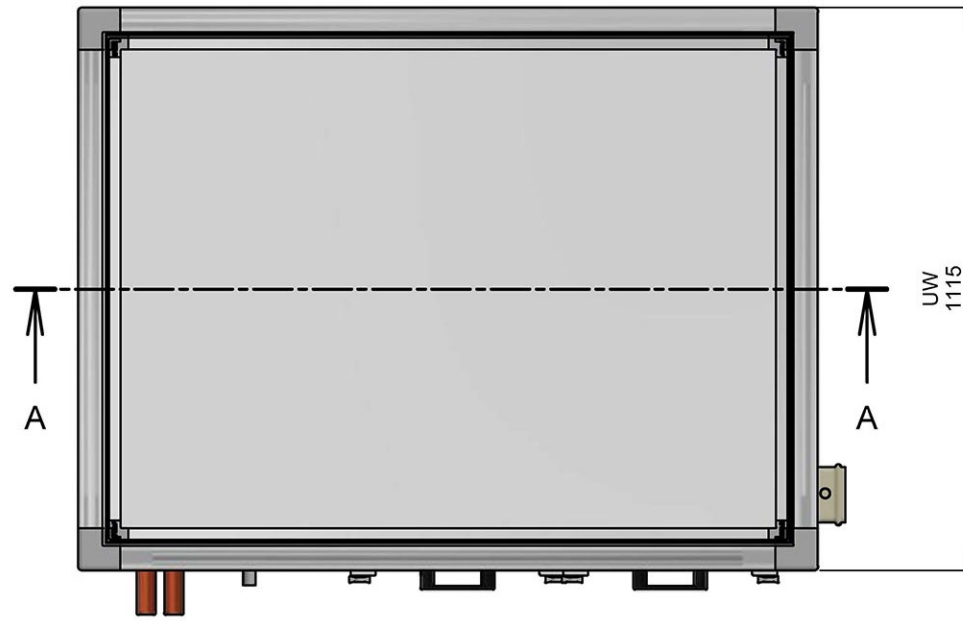
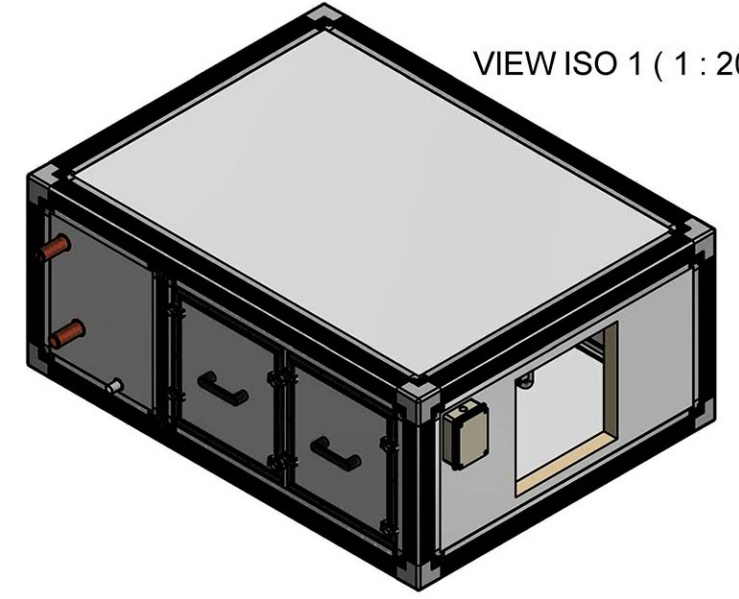


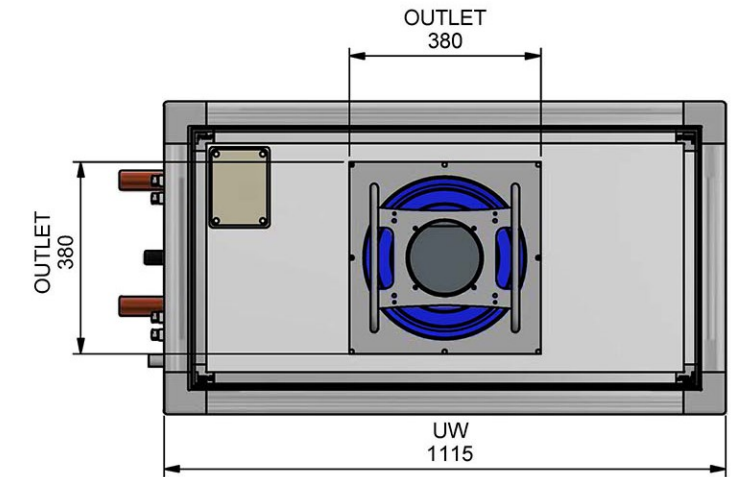
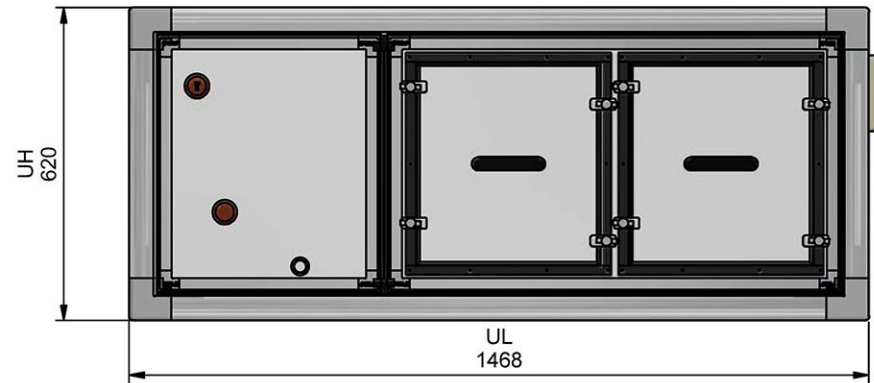
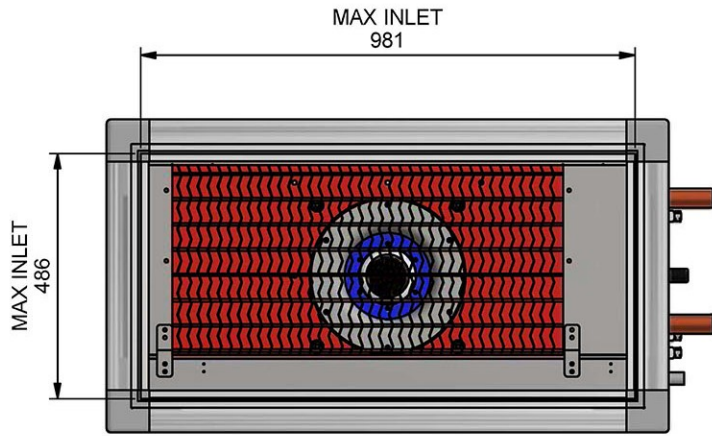
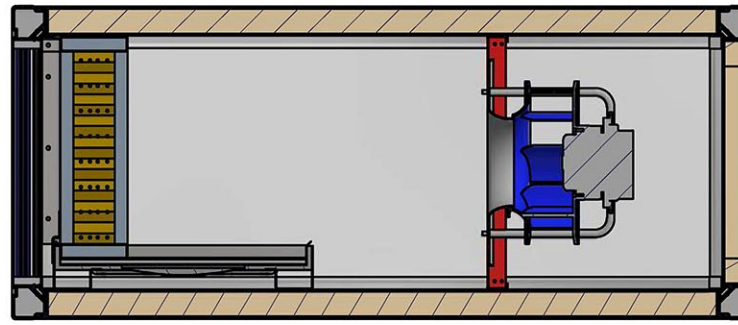
VIEW ISO 2 ( 1 : 20 )



VIEW ISO 1 ( 1 : 20 )



A-A ( 1 : 15 )



MAX S/A ( HORIZONTAL ) : 380 X 605MM  
 MAX S/A ( VERTICAL ) : 320 X 890MM

UNLESS OTHERWISE SPECIFIED  
 DIMENSIONS ARE IN MILLIMETERS  
 BREAK AND DEBUR ALL SHARP EDGES

3rd ANGLE  
 PROJECTION

DO NOT SCALE DRAWING

Rev	By	Date	Description
/00	YS	21/03/2017	Initial Released

Fantech Pty Ltd. © A.C.N. 005 434 024 45 NESTOR DRIVE, MEADOWBROOK, QUEENSLAND, AUSTRALIA. 4131 TELEPHONE: (07) 32 999 888 FACSIMILE: (07) 32 999 800						General Layout ME2B-L103/G3-FCO, GR28(115667)x1		
DRAWN: Toh	DATE: 21/3/2017	REV: /00	SCALE: 1 : 15					SIZE: A3
CHKED: Sean	DATE: --	DRAWING NO: 868-8010-0103	SCALE: 1 : 15					SIZE: A3