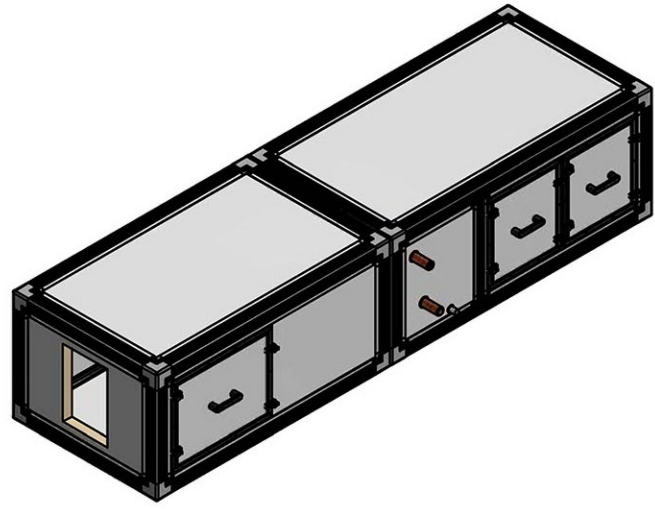
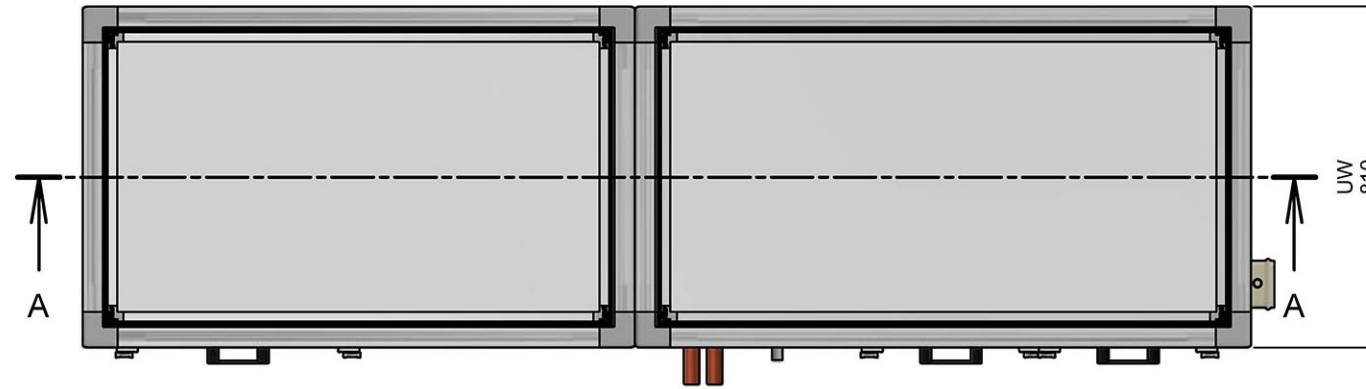
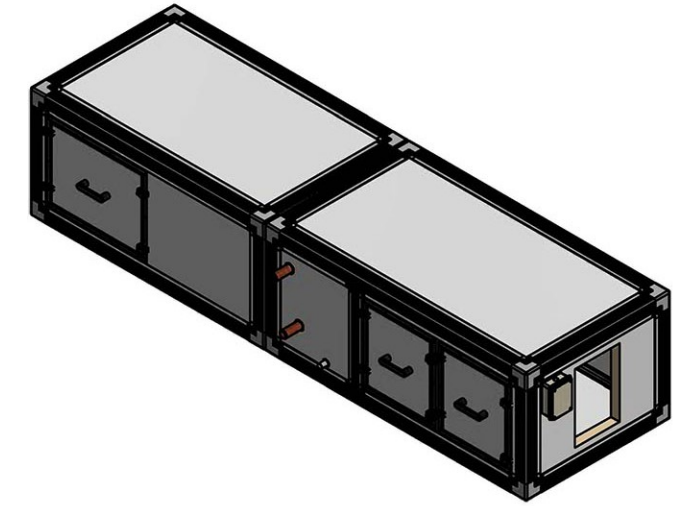


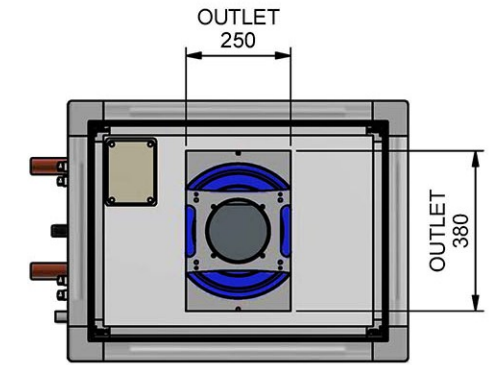
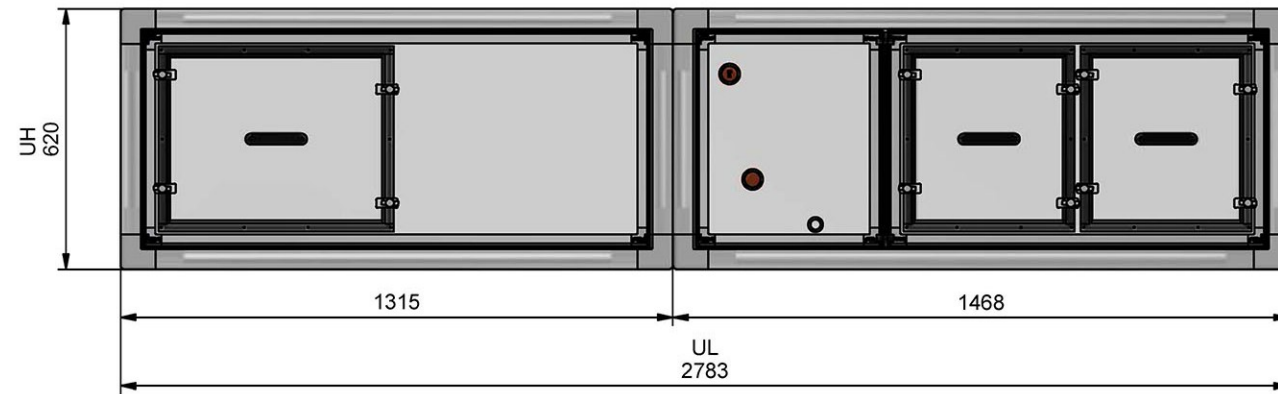
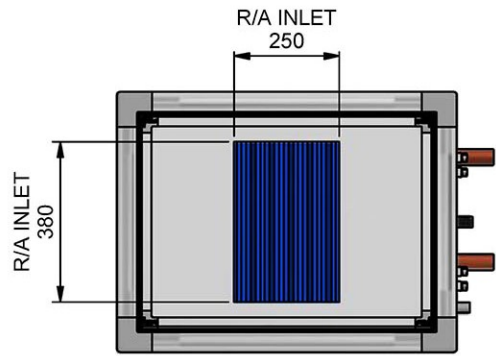
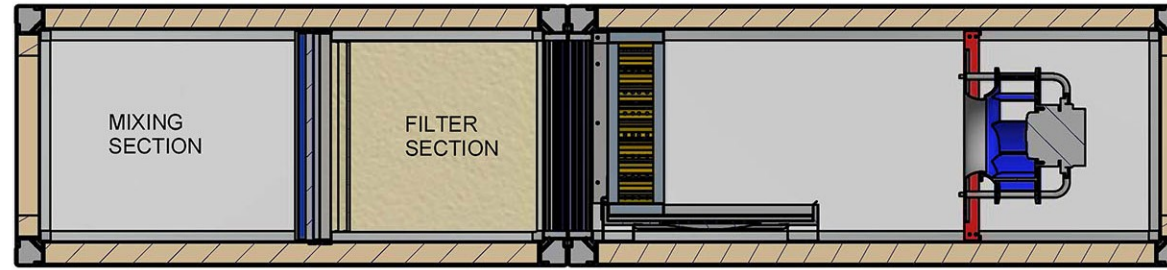
VIEW ISO 1 (1 : 30)




VIEW ISO 2 (1 : 30)



A-A (1 : 18)



MAX R/A INLET (HORIZONTAL) : 380X570MM
 MAX O/A INLET (VERTICAL) : 480X570MM
 MAX S/A (HORIZONTAL) : 380X300MM
 MAX S/A (VERTICAL) : 320X585MM

UNLESS OTHERWISE SPECIFIED
 DIMENSIONS ARE IN MILLIMETERS
 BREAK AND DEBUR ALL SHARP EDGES

 3rd ANGLE
 PROJECTION
 DO NOT SCALE DRAWING

Rev	By	Date	Description
/00	Toh	22/03/2017	Initial Released

Fantech Pty Ltd. © A.C.N. 005 434 024
 45 NESTOR DRIVE, MEADOWBROOK, QUEENSLAND, AUSTRALIA. 4131
 TELEPHONE: (07) 32 999 888 FACSIMILE: (07) 32 999 800



DRAWN: Toh DATE: 22/3/2017
 CHKD: Sean DATE: --
 APPRD: JT DATE: --

General Layout
 ME2B-L102/G3-FPL,
 GR28(115667)x1

DRAWING NO: 868-8030-0102 REV: /00 SCALE: 1 : 18 SIZE: A3